

**7046-2—  
2013**

**2.**

**Z.**

**.  
8.8,**

**ISO 7046-2:2011**

**Countersunk flat head screws (common head style) with type H or type Z cross  
recess - Product grade A - Part 2: Steel screws of property class 8.8, stainless steel  
screws and non-ferrous metal screws**

**(IDT)**



2014

1 « »  
- ) «PM- » ( «PM- »)  
( « »)  
4 ,  
2 229 « »  
3 8 2013 . 1454-  
4 ISO 7046-2:2011 «  
Z. . 2.  
8.8, » (ISO 7046-2:2011  
«Countersunk flat head screws (common head style) with type H or type Z cross recess - Product grade A -  
Part 2: Steel screws of property class 8.8, stainless steel screws and non-ferrous metal screws»).

5

1.0—2012 ( 8).  
( 1  
) « », »  
( ) « »  
, « ».  
(gost.ru)

Z

2. 8.8,

Countersunk flat head screws (common head style) with type H or type Z cross recess - Product grade A -  
Part 2: Steel screws of property class 8.8, stainless steel screws and non-ferrous metal screws

-2015-01-01

**1**

2 10 8.8 2-70  
, CU2 CU3  
261, 888. 898-1. 965-2, 3506-1. 4759-1 8839.

**2**

( )  
225  
(ISO 225, Fasteners — Bolts, screws, studs and nuts — Symbols and designations of dimensions)  
261 ISO (ISO 261, ISO general purpose metric screw threads — General plan)  
898-1  
1.  
(ISO 898-1, Mechanical properties of fasteners made of carbon steel and alloy steel - Part 1: Bolts, screws and studs with specified property classes - Coarse thread and fine pitch thread)  
965-2 ISO 2.  
(ISO 965-2, ISO general purpose metric screw threads — Tolerances — Part 2: Limits of sizes for general purpose external and internal screw threads — Medium quality)  
3269 (ISO 3269, Fasteners — Acceptance inspection)  
3506-1  
1. (ISO 3506-1, Mechanical properties of corrosion-resistant stainless steel fasteners - Part 1: Bolts, screws and studs)  
4042 (ISO 4042, Fasteners — Electroplated coatings)  
4757 (ISO 4757, Cross recesses for screws)  
4759-1 1.  
(ISO 4759-1, Tolerances for fasteners — Part 1: Bolts, screws, studs and nuts — Product grades A, and C)  
6157-1 1.  
(ISO 6157-1, Fasteners — Surface discontinuities — Part 1: Bolts, screws and studs for general requirements)  
6157-3 3.  
(ISO 6157-3, Fasteners - Surface discontinuities - Part 3: Bolts, screws and studs for special requirements)

(ISO 7721-2 Countersunk flat head screws - Part 2: Penetration depth of cross recesses)

8839

(ISO 8839, Mechanical properties of fasteners - Bolts, screws, studs and nuts made of non-ferrous metals)

10683

(ISO 10683,

Fasteners - Non-electrolytically applied zinc flake coatings)

16048

(ISO

16048, Passivation of corrosion-resistant stainless-steel fasteners)

1

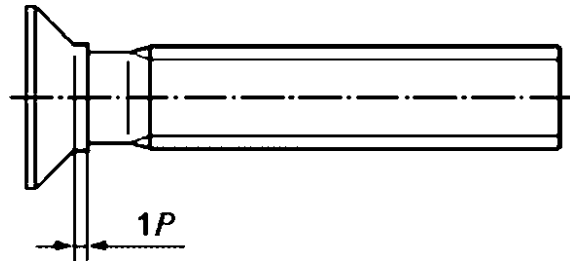
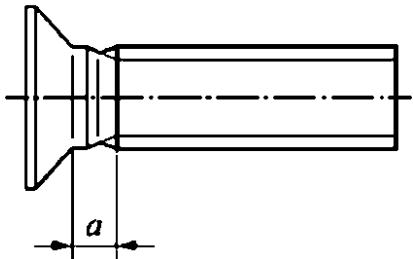
3

225.

1,2,3

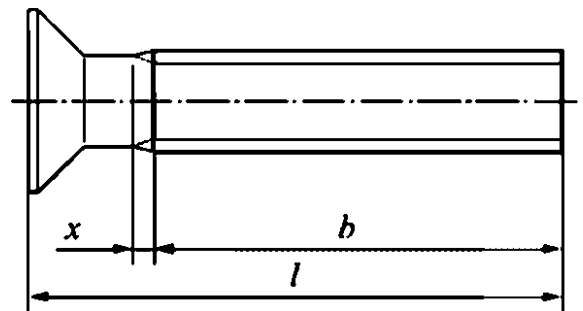
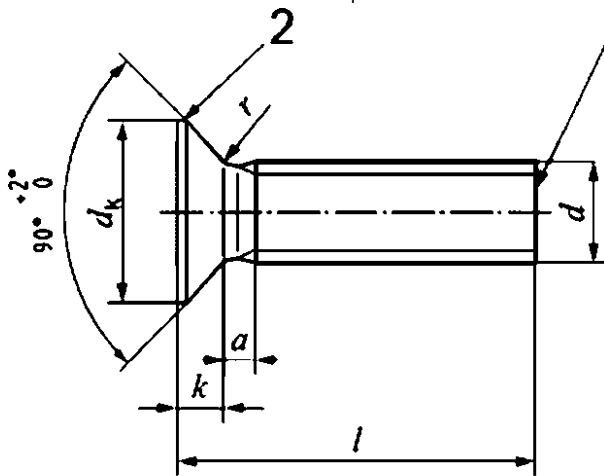
1.

резьбы.

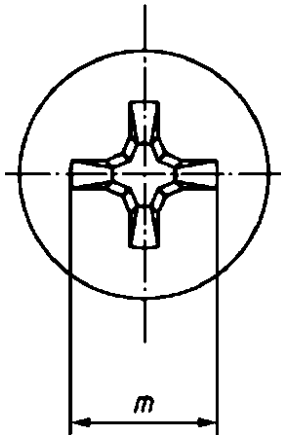


= 2,5

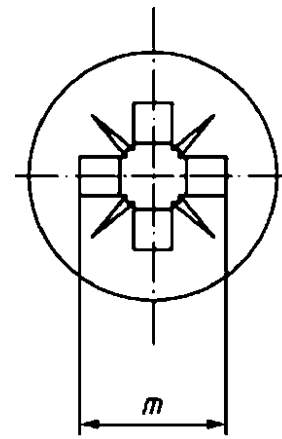
2 3



$\theta_{max} = 2P$



)



b) Тип Z

3 -

1 -

		d	2	2.5	3	( 3,5)'	4	5	8	10		
		f*	0.4	0,45	0.5	0.6	0.7	0.8	1	1.25	1.5	
b			25	25	25	38	38	38	38	38	38	
			4.4	5.5	6.3	8.2	9.4	10.4	12,6	17.3	20	
			3.8	4.7	5.5	7.3	8.4	9.3	11.3	15.8	18.3	
			3.5	4.4	5.2	6.9	8.0	8.9	10.9	15.4	17.8	
			1.2	1.5	1.65	2.35	2.7	2.7	3.3	4.65	5	
			0.5	0.6	0.8	0.9	1	1.3	1.5	2	2.5	
X			1	1.1	1.25	1.5	1.75	2	2.5	3.2	3.8	
1 ( )			0	1		2		3	4			
		m	1.9	2.9	3.2	4.4	4.6	5.2	6.8	8.9	10	
			0.9	1.4	1.7	1.9	2.1	2.7	3.0	4.0	5.1	
			1.2	1.8	2.1	2.4	2.6	3.2	3.5	4.6	5.7	
	Z		0	1		2		3	4			
		m	1.9	2.8	3	4.1	4.4	4.9	6.6	8.8	9.8	
			0.95	1.48	1.76	1.75	2,06	2.60	3,00	4.15	5.19	
			1,20	1.73	2.01	2,20	2.51	3.05	3.45	4.60	5.64	
	2 ( )			0	1		2		3	4		
			m	1.9	2.7	2.9	4.1	4.6	4.8	6.6	8.7	9.6
				0.9	1.25	1.4	1.6	2,1	2.3	2.8	3.9	4.8
				1.2	1.55	1.8	2.1	2.6	2.8	3.3	4.4	5.3
Z			0	1		2		3	4			
		m	1.9	2.5	2.8	4	4.4	4.6	6.3	8.5	9.4	
			0,95	1.22	1.48	1.61	2.06	2.27	2,73	3.87	4.78	
			1.20	1.47	1.73	2,05	2.51	2,72	3.18	4.32	5,23	

1			2	2,5	3	( 3,5)	4	5	8	1
	,d									
3	2.8	3,2								
4	3,76	4,24								
5	4.76	5.24								
6	5,76	6,24								
8	7.71	8,29								
10	9,71	10,29								
12	11,65	12,35								
(14)	13,65	14.35								
16	15,65	16,35								
20	19,58	20,42								
25	24,58	25,42								
30	29,58	30,42								
35	34,5	35,5								
40	39,5	40,5			1	1				
45	44,5	45,5			1	1				
50	49,5	50,5								
(55)	54,05	55,95								
60	59,05	60,95								

7721.

d 7721 -2.

= / - ( + ).

4

2.

2 -

			-	
		261, 965-2		
		8.8	2-70	CU2. 3
		898-1	3506-1	8839
		4759-1		
		4757		
		4042	16048	4042
		-		
		10683		
			( >	
			3	6157-1 6157-
				3269

5

1  
 l=20 , 1 2 8.8 5, Z, :

7046-2 - 5 20- 8.8 - Z.

2

7046-2 - 5 20 - 8.8 - Z1.

( )

( )

1

225	—	*
261	MOD	8724-2002 ( 261-98) « »
898-1	IDT	898-1-2011 « 1. , »
965-2	—	*
3269	IDT	3269-2009 « »
3506-1	IDT	3506-1-2009 « 1. - , »
4042	IDT	4042-2009 « »
4757	NEQ	10753-86 « »
4759-1	IDT	4759-1-2009 « 1. , , »
6157-1	IDT	6157-1-2009 « 1. , »
6157-3	—	.1
7721-2	IDT	7721-2-2011 « 2. »
8839	IDT	8839-2009 « , , »
10683	IDT	10683-2013 « - »
16048	-	«2
<p>- MOD - ;</p> <p>- IDT - ;</p> <p>- NEQ - .</p>		

1

ISO 6157-3...(ISO 6157-3:1988, IDT).

:

ISO 16048. (ISO 16048:2003, IDT).

6



- (1) ISO 888, *Bolts, screws and studs — Nominal lengths, and thread lengths for general purpose bolts*
- (2) ISO 7721, *Countersunk head screws - Head configuration and gauging*

621.882.215.3:006.354

21.060.10

32

16 5000

8.8 : , , , ,

01.04.2014. 60x84'»  
. . . 1.40. 31 . . 1353.

,

« »

123995 , ., 4.  
www.gostinf6.ru info@gostinf6.ru