

Bright Set Collars  
Locked by Grub Screws or by Pins  
Light Pattern Series

DIN  
705

Blanke Stellringe; Befestigung durch Gewindestifte oder Stifte, Leichte Reihe

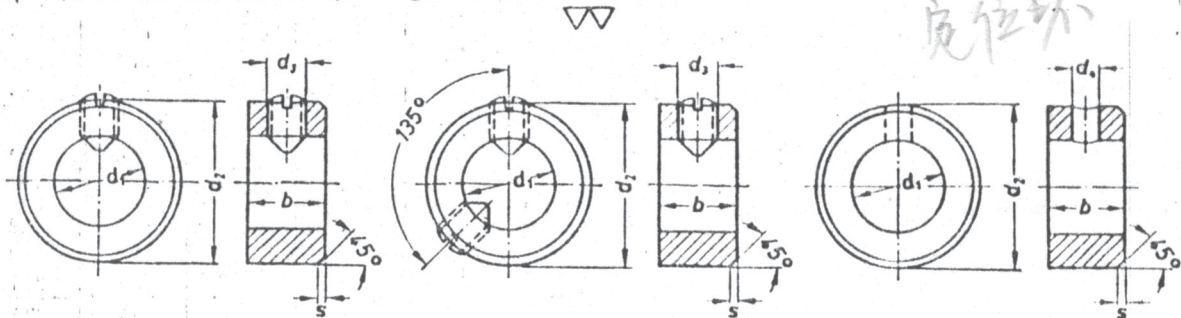
Dimensions in mm

A Locked by grub screws

B Locked by taper pins

$d_1 = 2$  to 70 mm: locked by a single grub screw  
 $d_1 = 72$  to 200 mm: locked by two grub screws

up to  $d_1 = 150$  mm



Designation of a set collar, Type A, with bore  $d_1 = 20$  mm with grub screw:  
Set Collar A 20 DIN 705

Bore $d_1$	$b$	$d_2$	$d_3$	$d_4$	$s$	For Type A grub screw to DIN 553	For Type B		Weight (7.85 kg/dm <sup>3</sup> ) kg/100 pieces	
							grooved taper pin to DIN 1471	taper pin to DIN 1	A	B
H8	H14	h13		H11 <sup>1)</sup>						
<b>2</b>	3,5	6	M 2	0,6	0,4	M 2 × 3	—	0,6 × 8	0,069	0,065
2,5	4	7	M 2	0,8	0,4	M 2 × 3	—	0,8 × 10	0,105	0,096
3	5								0,123	0,115
3,5	5	8	M 2,6	1	0,4	M 2,6 × 4	—	1 × 10	0,162	0,155
4									0,152	0,145
4,5	6	10	M 3	1,5	0,4	M 3 × 4	1,5 × 10	1,5 × 12	0,296	0,289
5									0,280	0,273
5,5	6								0,432	0,414
6	8	12	M 4	1,5	0,4	M 4 × 5	1,5 × 12	1,5 × 14	0,548	0,526
7	8								0,488	0,564
8	8	16	M 4	2	1	M 4 × 6	2 × 16	2 × 20	0,940	0,920
9	10	18	M 5	3	1	M 5 × 8	3 × 18	3 × 22	1,51	1,45
10	10	20	M 5	3	1	M 5 × 8	3 × 20	3 × 24	1,85	1,80
11									1,73	1,66
12	12	22	M 6	4	1	M 6 × 8	4 × 22	4 × 26	2,52	2,44
14	12	25	M 6	4	1	M 6 × 8	4 × 25	4 × 30	3,17	3,09
15									2,98	2,88
16	12	28	M 6	4	1,6	M 6 × 8	4 × 28	4 × 32	3,84	3,76
18	14	32	M 6	5	1,6	M 6 × 8	5 × 32	5 × 36	6,00	5,84
20									5,30	5,20
22	14	36	M 6	5	1,6	M 6 × 10	5 × 36	5 × 40	6,90	6,79

Table continued on page 2

Bold type indicates preferred sizes.

<sup>1)</sup> Up to 3 mm tolerance zone H 9 applies

Continued on page 2

No guarantee can be given in respect of this translation in all cases the latest German-language version of this standard shall be taken as authoritative.

Nachdruck, auch auszugsweise, nur mit Genehmigung des DIN Deutsches Institut für Normung e. V., Berlin 30, gestattet.

Translation: Fachtechnisches Übersetzungsinstitut Henry G. Freeman, Düsseldorf

Bore $d_1$ H8	$b$	$d_2$ h13	$d_3$	$d_4$ H11	$s$	For Type A grub screw to DIN 553	For Type B		Weight (7.85 kg/dm <sup>3</sup> ) kg/100 pieces	
							grooved taper pin to DIN 1471	taper pin to DIN 1	For Type	
									A	B
24	16	40	M 8	6	1,6	M 8 × 10	6 × 40	6 × 45	10,0	9,80
25									9,56	9,32
26									9,05	8,83
28	16	45	M 8	6	1,6	M 8 × 12	6 × 45	6 × 50	12,2	11,9
30									11,1	10,8
32									14,5	14,0
34	16	50	M 8	8	1,6	M 8 × 12	8 × 50	8 × 55	13,2	12,8
35									18,7	18,2
36									18,0	17,6
38	16	56	M 8	8	1,6	M 8 × 12	8 × 55	8 × 60	16,6	16,2
40									26,1	25,6
42									24,4	23,8
45	18	63	M 10	8	1,6	M 10 × 15	8 × 60	8 × 70	31,7	31,0
48									28,7	28,1
50									42,9	42,1
52	18	80	M 10	10	1,6	M 10 × 15	10 × 80	10 × 90	40,8	39,9
55									37,3	36,4
56									36,1	35,2
58	20	90	M 10	10	1,6	M 10 × 18	10 × 90	10 × 100	58,1	57,1
60									55,2	54,3
63									50,8	49,8
65	20	100	M 10	10	1,6	M 10 × 18	10 × 100	10 × 110	70,8	69,8
68									66,0	65,0
70									62,6	61,6
72	22	110	M 12	13	2,5	M 12 × 20	10 × 110	10 × 120	92,8	91,8
75									87,1	86,0
80									76,8	75,5
85	25	125	M 12	13	2,5	M 12 × 20	13 × 125	13 × 140	113	111
90									101	99,0
95									161	159
100	25	140	M 12	13	2,5	M 12 × 22	13 × 140	13 × 150	147	145
110									206	204
120									171	169
125	28	180	M 16	16	4	M 16 × 28	16 × 180	16 × 200	285	282
130									264	260
140									347	343
150	32	200	M 20 × 2	—	4	M 16 × 30	16 × 200	16 × 230	298	294
160									446	—
170									657	—
180	32	250	M 20 × 2	—	4	M 20 × 2 × 40	—	—	590	—
190									831	—
200									756	—

**Bold type** indicates preferred sizes

**Material:** Mild steel at manufacturer's choice

Set collars to Type A are furnished with grub screws to DIN 553.

Projecting grub screws shall not be used if any risk of accident is likely to arise thereby.

**Thread:** Metric screw thread to DIN 13 Part 1

For heavy pattern set collars, see DIN 703