

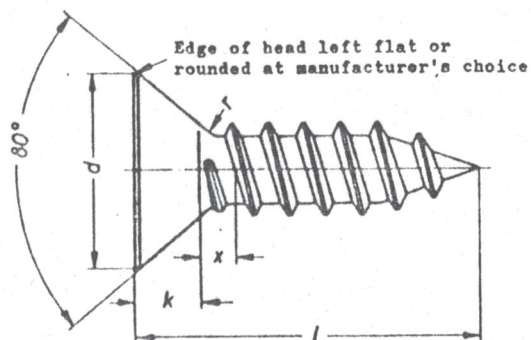
Countersunk (Flat) Head Tapping Screws  
with Cross Recess

DIN  
7982

Senk-Blechschauben mit Kreuzschlitz

Dimensions in mm

Type B with cone end



Type BZ with flat end

Other dimensions and details as for Type B



$x_{max.} = P$  according to  
DIN 7970

Designation of a countersunk (flat) head tapping screw with cone end (B) of 3.5 mm nominal diameter and length  $l = 19$  mm:

Tapping screw B 3.5 x 19 DIN 7982

Nominal diameter		2,2	2,9	3,5	(3,9)	4,2	4,8	(5,5)	6,3
$d$		4,3	5,5	6,8	7,5	8,1	9,5	10,8	12,4
$k$	$\approx$	1,3	1,7	2,1	2,3	2,5	3	3,4	3,8
$r$	max.	0,8	1,1	1,4	1,5	1,6	1,9	2,1	2,4
Cross recess	Size	1		2			3		
	$m$	2,5	3	4,2	4,6	4,7	5,1	6,8	7,1
	Depth of penetration	min.	1,02	1,4	1,62	2,03	2,11	2,59	2,95
	max.	1,32	1,7	2,12	2,53	2,62	3,1	3,53	3,91
$l$		Weight (7,85 kg/dm <sup>3</sup> ) kg/1000 pieces $\approx$							
4,5		0,100	—	—	—	—	—	—	—
6,5		0,140	0,280	—	—	—	—	—	—
9,5		0,200	0,350	0,540	0,660	0,77*)	1,10*)	—	—
13		0,270	0,476	0,718	0,880	1,02	1,45	2,11*)	2,53*)
16		0,330	0,584	0,871	1,07	1,23	1,75	2,49	3,07
19			0,692	1,02	1,26	1,44	2,05	2,87	3,61
22				1,17	1,45	1,65	2,35	3,26	4,15
25				1,32	1,64	1,86	2,65	3,65	4,69
32						2,35	3,35	4,56	5,95
38								5,43	7,03
45									
50									
No. according to ISO		2	4	6	7	8	10	12	14

Nominal diameters in brackets are to be avoided wherever possible.

Normally, these tapping screws are made in the sizes for which weight details are given. It is not practicable to make the sizes for which dashes appear instead of length data.

Technical conditions of delivery and material according to DIN 267 Sheet 12

Finish: m according to DIN 267 Sheet 2

Thread and screw ends according to DIN 7970

Cross recesses and recess penetration gauges according to DIN 7962

For core hole diameters see DIN 7975

\*) It is not practicable to make these sizes in Type B.

Explanations on page 2

No guarantee can be given in respect of this translation in all cases the latest German-language version of this standard shall be taken as authoritative

Nachdruck, auch auszugsweise, nur mit Genehmigung des Deutschen Normenausschusses, Berlin 30, gestattet.

Translation Fachtechnisches Übersetzungsinstitut Henry G. Freeman, Düsseldorf

Explanations

In recent years the Technical Committee ISO/TC 2 "Bolts, nuts and accessories" of the International Organization for Standardization (ISO) has been dealing with ISO Recommendations for tapping screws and has decided with a large majority to adopt the American standards in full. Corresponding ISO drafts have already been passed. These relate, however, only to tapping screws with slotted head.

Owing to the number of patent claims affecting the cross recesses, tapping screws with cross recess have not been internationally standardized. The recommendation has been made, however, that standard head dimensions should be specified for tapping screws with slotted head and with cross recess. This recommendation and the new issues of DIN 7970, DIN 7971, DIN 7972 and DIN 7973 therefore gave occasion to revise the standards dealing with cross recess tapping screws also.

The new issues of DIN 7981, DIN 7982 and DIN 7983 are very closely in line with the new issues of DIN 7971, DIN 7972 and DIN 7973, in other words the head dimensions of the screws agree. The only exception is DIN 7981. Compared with DIN 7971, the head of the cross recessed screw is not flat but domed. For the same head diameter and approximately the same volume of upset, therefore, the resulting head heights are greater for cross recessed head screws according to DIN 7981 than for slotted head screws according to DIN 7971. The doming of the head on these screws is also conditioned by pressworking reasons, since it is very difficult to impress cross recesses in flat pan heads.

Since the coarse pitch thread (Type A) hitherto in use has not been accepted by ISO, it has ceased to be included in the present new issues of DIN 7981, DIN 7982 and DIN 7983. It should be noted, however, that the following ISO Recommendations regarding tapping screws provide different type letter symbols for screws with cone end and screws with flat end. These type letter symbols have not been adopted because this would have entailed amending existing documents and in addition would have made it necessary to use different standard specification numbers. Hence the following situation has arisen:

Type B with cone end according to DIN = Type AB according to ISO

Type BZ with flat end according to DIN = Type B according to ISO

It is appropriate at this stage to draw attention to the possibility of confusion.

The ISO Recommendations denote the tapping screw thread by the numbers hitherto used, for example in the U.S.A. In the DIN standards, however, the nominal diameters used hitherto have been retained for denoting the thread. The ISO numbers have been added for information purposes only.

Compared with the previous issues of the standards, the depths of penetration of the cross recesses have been changed in some cases. Practical use and appropriate tests have shown that corrections were necessary in order to prevent head fractures (fractures occurring between the bottom of the cross recess and the screw shank).

With regard to technical conditions of delivery and materials, reference has been made to DIN 267 Sheet 12 (at present circulating as draft). This draft standard likewise agrees with an ISO Recommendation in course of preparation.

The foregoing Explanations have been taken over unchanged from the July 1970 issue of the Standard because they are still equally valid and for the purpose of this new issue it was only necessary to correct a printing error.