

KRAKEN INSTALLATION MANUAL



x 2

UNI 5933 M8X25



x 2

DIN 985 - M8

INCLUDED IN THE PACKAGE



C20/25



read also:



LOOP- LOOPXL
Installation
Manual

+



KRAKEN
Installation
Manual

+



LOOP- LOOPXL
Safety
Regulations

=



KRAKEN+LOOP-LOOPXL

EN
795:2012
A

UNI
11578:2015
A

■ TOOLS



⁰¹ ROTHBLAAS VINYL ESTER CHEMICAL ANCHOR WITHOUT STYRENE

■ PRODUCT INFORMATION



1.4016
AISI430

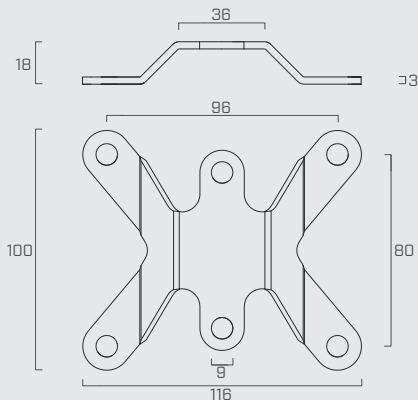
INOX

KRAKEN+LOOP-LOOPXL

EN
795:2012
A

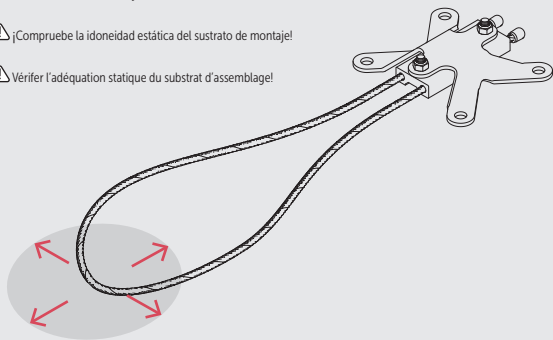
UNI
11578:2015
A

■ KRAKEN DIMENSIONS

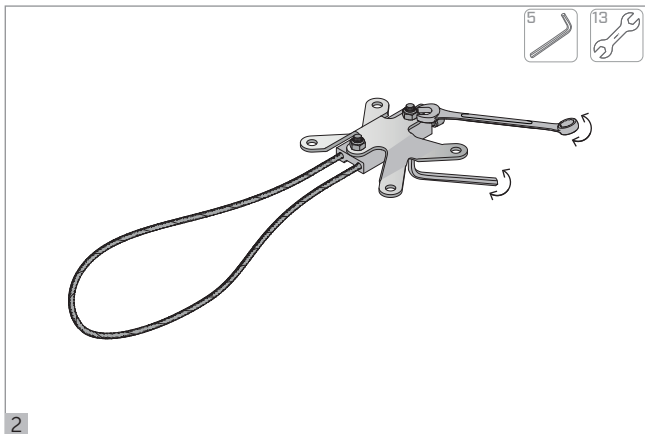
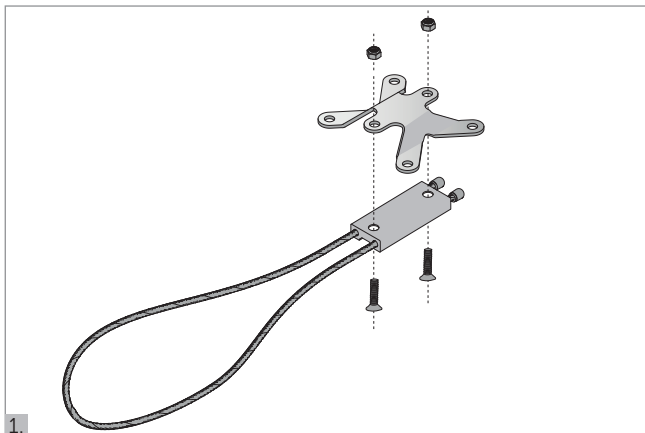


■ LOAD TEST MODEL KRAKEN

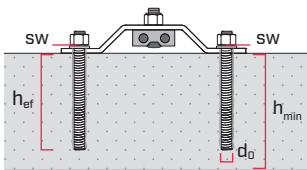
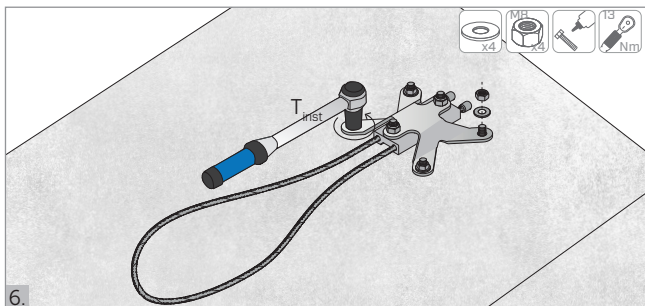
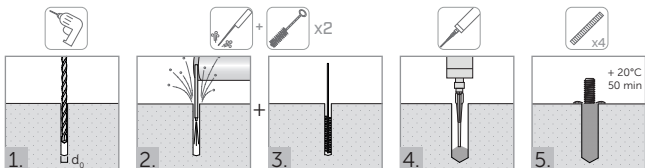
- IT** ⚠ Verificare idoneità statica del sottofondo di montaggio!
- DE** ⚠ Die statische Eignung des Montageuntergrundes sicherstellen!
- EN** ⚠ Check the static suitability of the installation substrate!
- ES** ⚠ ¡Compruebe la idoneidad estática del sustrato de montaje!
- FR** ⚠ Vérifier l'adéquation statique du substrat d'assemblage!



KRAKEN
LOOP-LOOPXL INSTALLATION



KRAKEN
CERTIFIED APPLICATION (ETA)
CONCRETE SUBSTRUCTURE

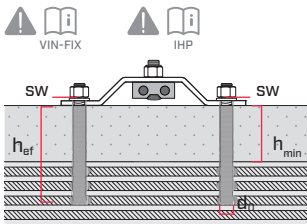
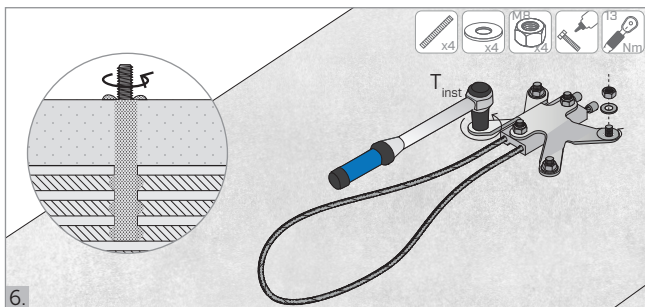
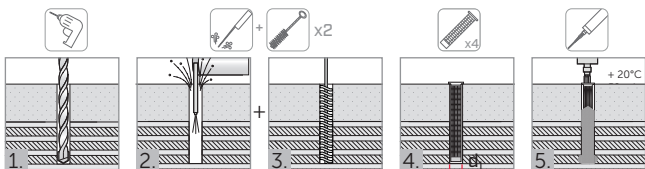


M8 - 5.8 min

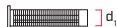


$64 \leq h_{ef} \leq 160 \text{ mm}$	$d = 8 \text{ mm}$
$h_{min} \geq h_{ef} + 30 \text{ mm}$	$L \geq h_{ef} + 18 \text{ mm}$
$h_{min} \geq 100 \text{ mm}$	$SW = 13 \text{ mm}$
$d_0 \geq 10 \text{ mm}$	$T_{inst} = 10 \text{ Nm}$

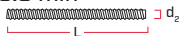
KRAKEN
 INTERNALLY TESTED APPLICATION
 CONCRETE SUBSTRUCTURE



IHP1685

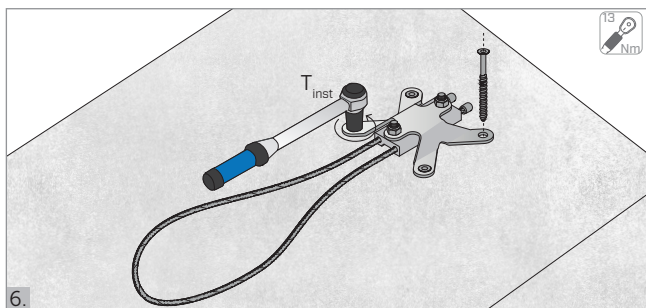
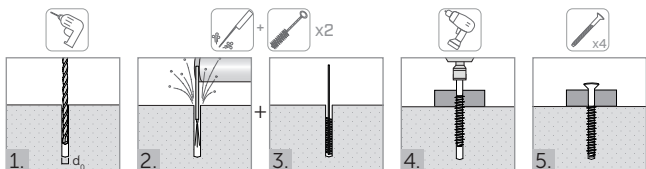


M8 - 5.8 min

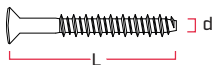
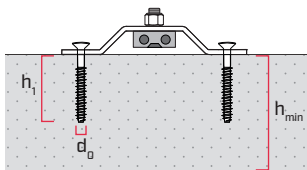


$40 \leq h_{ef} \leq 160$ mm	$d_2 = 8$ mm
$h_{min} \geq 40$ mm	$L \geq h_{ef} + 18$ mm
$d_0 \geq 10$ mm	SW = 13 mm
$d_0 = d_1$	$T_{inst} = 10$ Nm

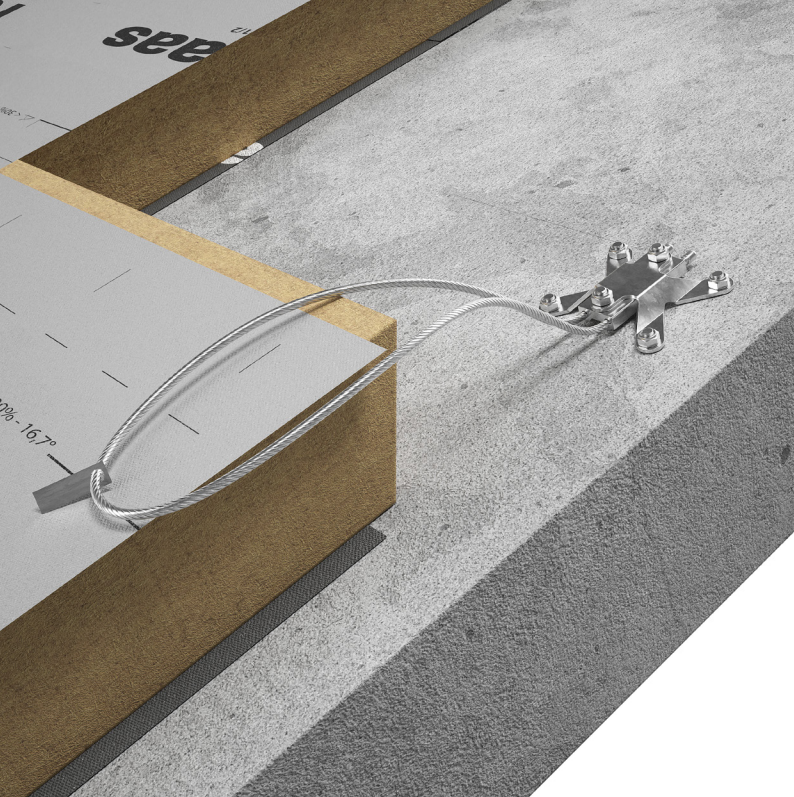
KRAKEN
CERTIFIED APPLICATION (ETA)
CONCRETE SUBSTRUCTURE



SKS 7,5 x 60 mm



$h_1 > 60$	mm	$d = 7,5$	mm
$d_0 = 6$	mm	$L = 60$	mm
$h_{min} \geq 100$	mm	$T_{inst} = 10$	Nm



Rotho Blaas Srl

06-23

Via dell'Adige N.2/1 | 39040, Cortaccia (BZ) | Italia
Tel: +39 0471 81 84 00 | Fax: +39 0471 81 84 84
info@rothoblaas.com | www.rothoblaas.com

